



VF

VERTICAL MILLING MACHINES

5-axis
with fixed table





TRIMILL – your partner for PORTAL MILLING MACHINES

Our main mission is to develop and manufacture portal milling machines with an excellent proportion of QUALITY – OUTPUT – RELIABILITY – PRICE. An important part of our services comprises a well-elaborated system of the warranty and after-warranty service.

A wide selection of the TRIMILL machines contains vertical and horizontal portal milling machines, which are distinguished by high rigidity and accuracy and are intended for machining of pressing tools, moulds and precise workpieces in the single-piece production.

- Machine travels from (X,Y,Z) 1.100/1.000/700 mm to 13.500/4.500/1.800 mm
- Three-, five- and multi-axis design

Partnership with our customers is based on following pillars:

- Proficiency, experience, professionalism
- Customized solutions
- Development of new solutions
- Top service and immediate availability of spare parts

Figures and facts

- 12.900 m² of the production area and more than 130 specialists in development, design, assembly and technology
- Since 2000, when our family company was established, we have been operating in the markets all over the world
- 480 portal machining centres at 200 satisfied customers in 25 countries of the world

Our customers

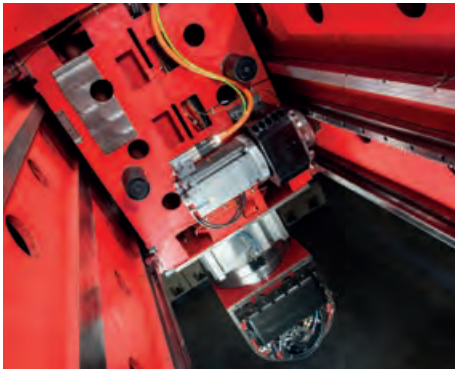
- Tool factories
- Forging shops
- Automotive industry
- Aerospace industry
- Energy industry

The most frequently machined materials on our machines

- Tool steel
- Aluminium alloys
- Cast iron
- Structural materials

■ TRIMILL PRINCIPLE: BOX-IN-BOX and UHPC

The box-in-box is a unique system of closed construction of the cross-beam and cross-slide with internally positioned and guided ram unit (axes Y and Z). UHPC is a high strength concrete with excellent properties for vibration damping and thermal stability of machines.



THE ADVANTAGES OF TRIMILL PRINCIPLE:

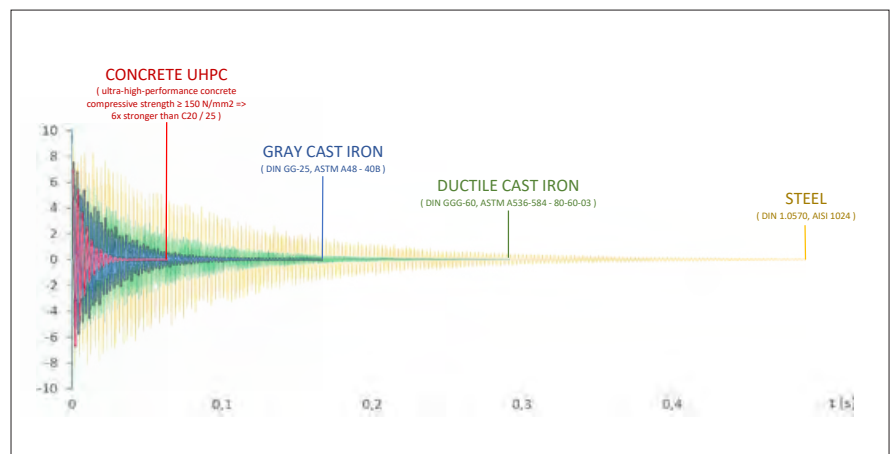
- Consistent milling results thanks to stable thermo-symmetrical arrangement on linear guideways
- Always 4 guides of the cross and vertical support for the machine, preventing the occurrence of the so-called „banana effect“ which deforms/bends the vertical support of the machine
- Increased rigidity of the machine in the X axis by +60%, in the Y axis by +30% and in the Z axis by +90%

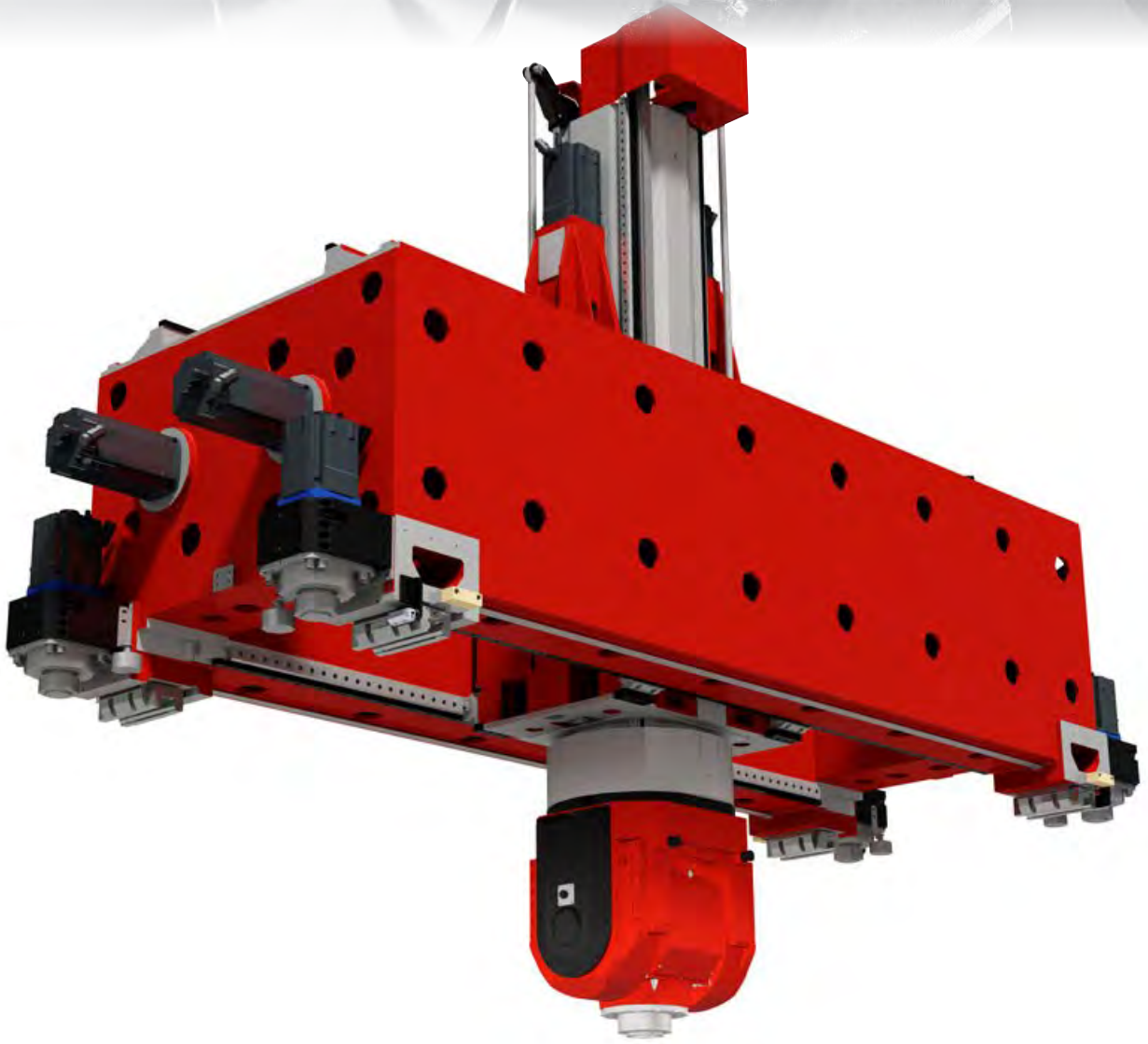


ADVANTAGES OF USING UHPC:

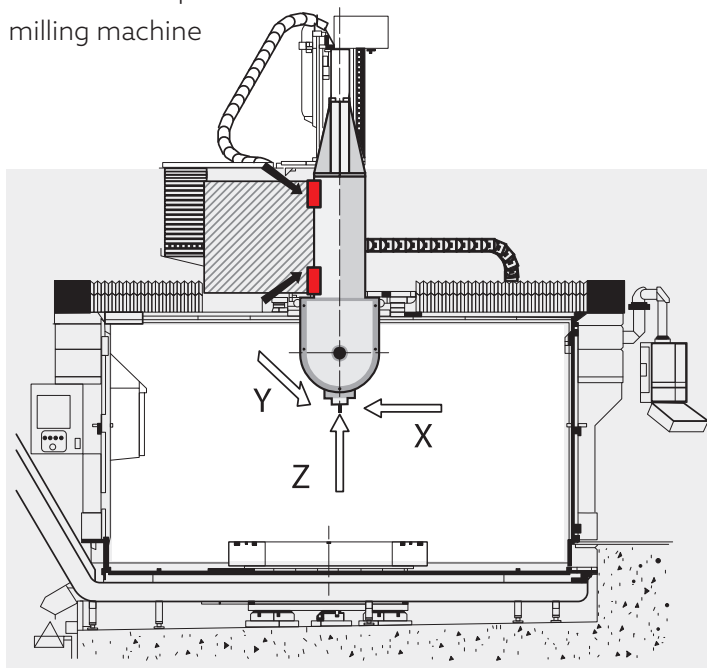
- The columns and longbeams of most TRIMILL machines are made of high-strength concrete (UHPC).
- Maximum vibration damping and extended tool life
- Low thermal conductivity and high heat capacity resulting in high thermal stability of the machines
- Compressive strength ≥ 150 Mpa \Rightarrow 6 times stronger than C20/25 concrete
- Production in our own concrete plant in TRIMILL, a.s.

TRIMILL uses UHPC with the most effective damping properties for all stationary machine components, which ultimately means better surface quality, higher precision and longer tool life.

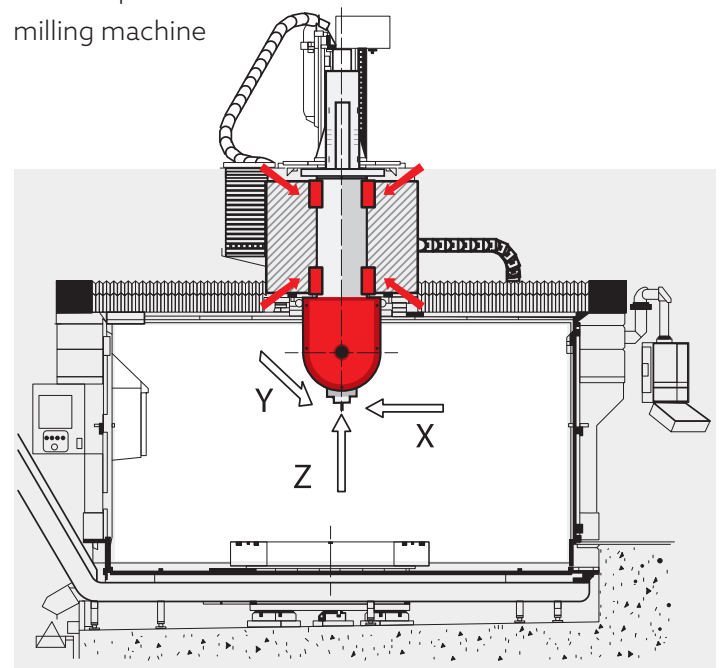




Conventional portal milling machine



TRIMILL portal milling machine



TRIMILL VF 3016/3021



- 1 5-axis milling with single clamping using a two-axis milling head
- 2 T30C fork-type milling head for continuous milling with WEISS electric spindle (B- and C-axes)
- 3 Heidenhain TNC 640 HSCI CNC control system with a 19" colour display. Sliding door for access to the machine working area
- 4 Chip conveyors with an elevated chip outlet and a tool magazine





	X	×	Y	×	Z
VF 2216	2.200	×	1.600	×	1.200
VF 2221	2.200	×	2.100	×	1.200
VF 3016	3.000	×	1.600	×	1.200
VF 3021	3.000	×	2.100	×	1.200

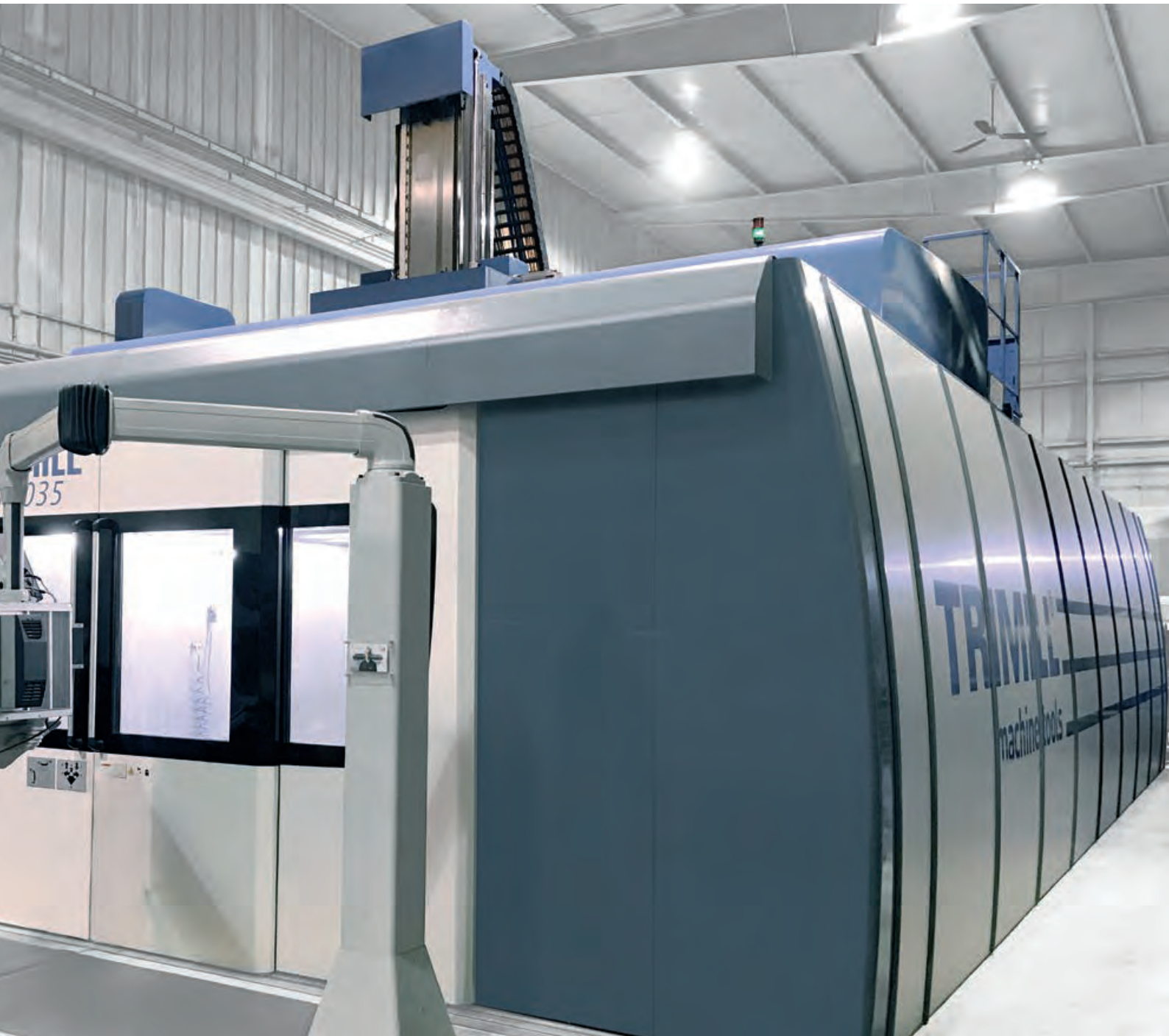
TRIMILL VF 10035



- 1 Customized configuration of TRIMILL VF 10035 machine with X-axis travel of 10.000 mm
- 2 F4F fork-type milling head for continuous milling with WEISS electric spindle (B- and C-axes)
- 3 Special solution of TRIMILL machine with 2 gantries with 2 different U2C and F5F milling heads
- 4 A system of outer machine covers made of composite materials in a modern design (brushed aluminium)



5-AXIS VERTICAL MACHINES

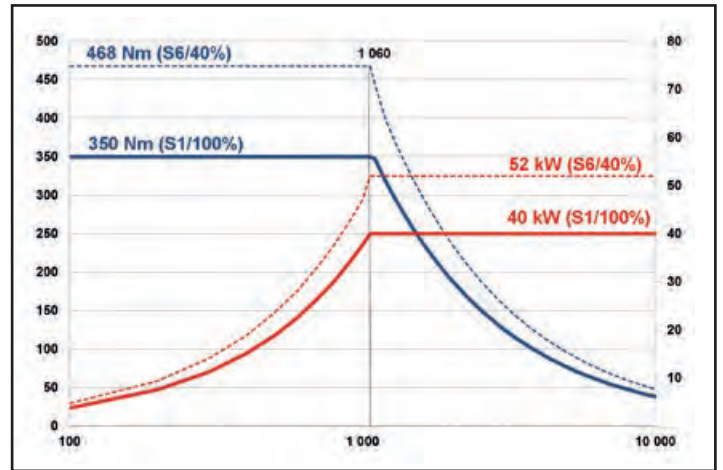
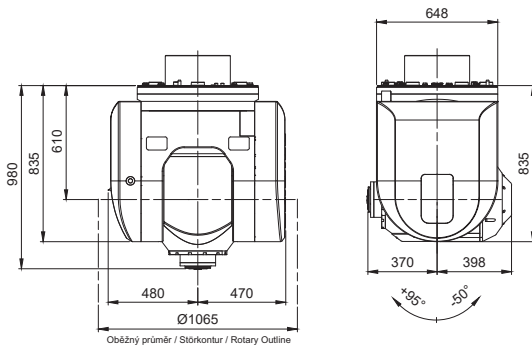
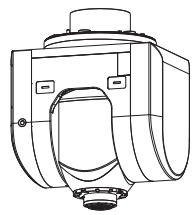


	X	×	Y	×	Z
VF 4525	4.500	×	2.500	×	1.500
VF xx25	xxxx	×	2.500	×	1.500
VF 4535	4.500	×	3.500	×	1.500
VF xx35	xxxx	×	3.500	×	1.500
VF 4545	4.500	×	4.500	×	1.500
VF xx45	xxxx	×	4.500	×	1.500

TRIMILL HEADS

F4F / F5F

continuous / positioning



40kW, 350 Nm, 10.000/min, HSK-A100

B axis (milling head): $-50/+95^\circ$

C axis (milling head): $\pm 240^\circ$

F4 - continuous milling

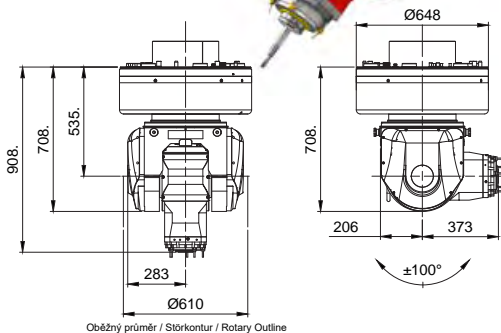
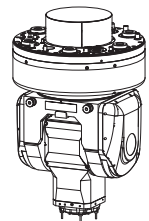
F5 - position milling (step 0,001")

B-axis clamping torque: 17.200 Nm

C-axis clamping torque: 15.000 Nm

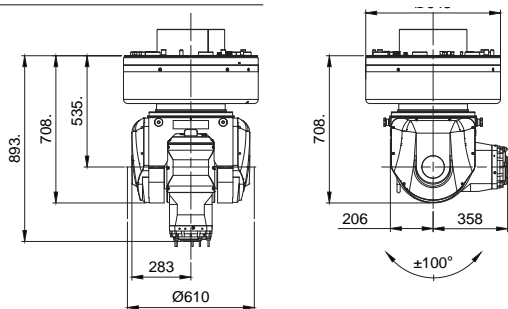
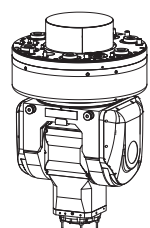
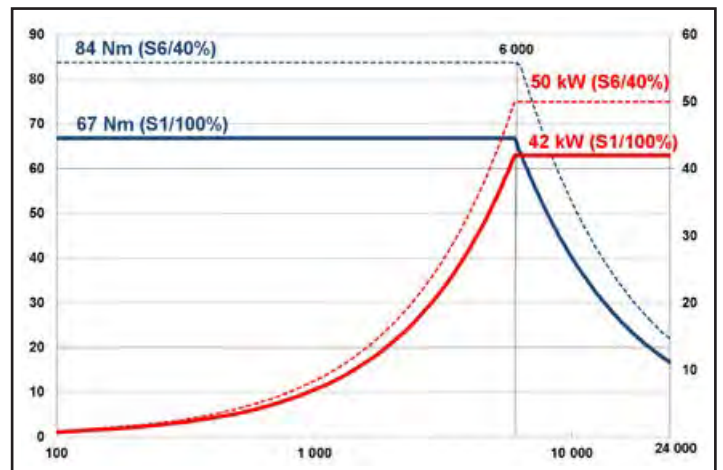
T19C

continuous



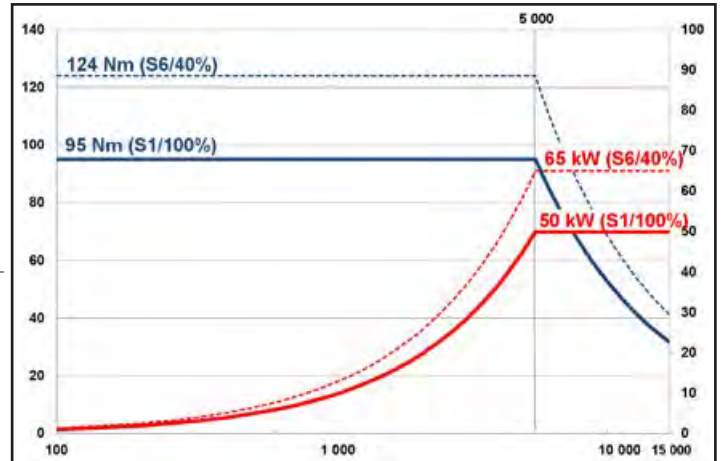
MFW-1906/24

S1: 42 kW, 67 Nm; S6: 50 kW, 84 Nm; 24.000/min, HSK-A63



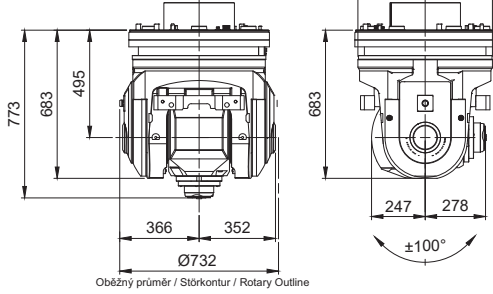
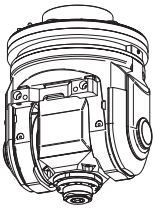
ES510

S1: 50 kW, 96 Nm; S6: 65 kW, 124 Nm; 15.000/min, HSK-A100



T21C / T21 CSC

continuous

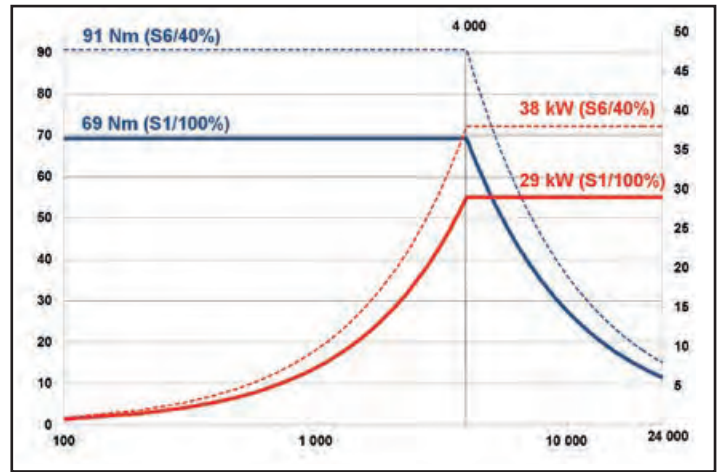
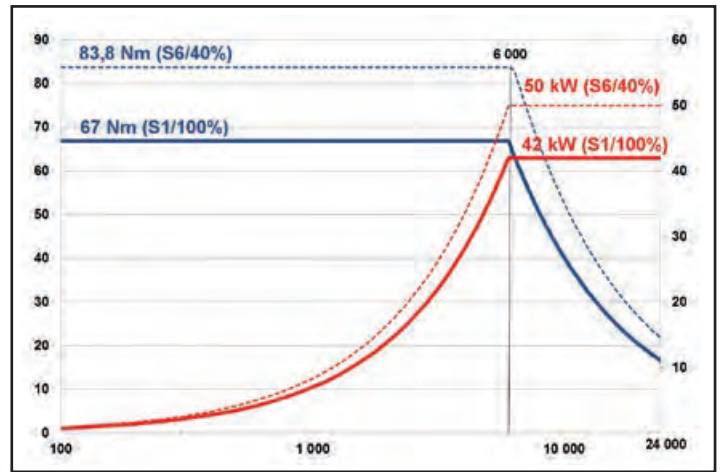


T21C

42kW, 67 Nm, 24.000/min, HSK-A63
 B axis (milling head): $\pm 100^\circ$
 C axis (milling head): $\pm 240^\circ$
 B-axis clamping torque: 4.000 Nm
 C-axis clamping torque: 4.000 Nm

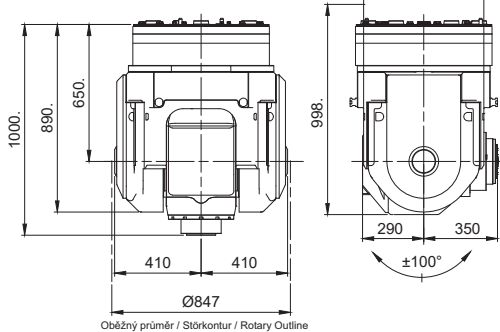
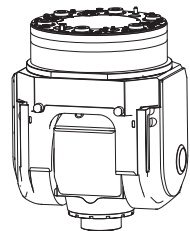
T21 CSC

29kW, 69 Nm, 24.000/min, HSK-A63
 B axis (milling head): $\pm 100^\circ$
 C axis (milling head): $\pm 240^\circ$
 B-axis clamping torque: 4.000 Nm
 C-axis clamping torque: 4.000 Nm



T30C / T30 CSC

continuous

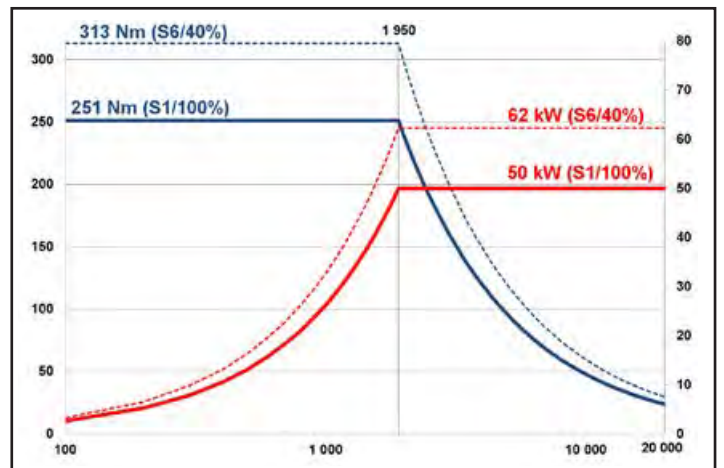
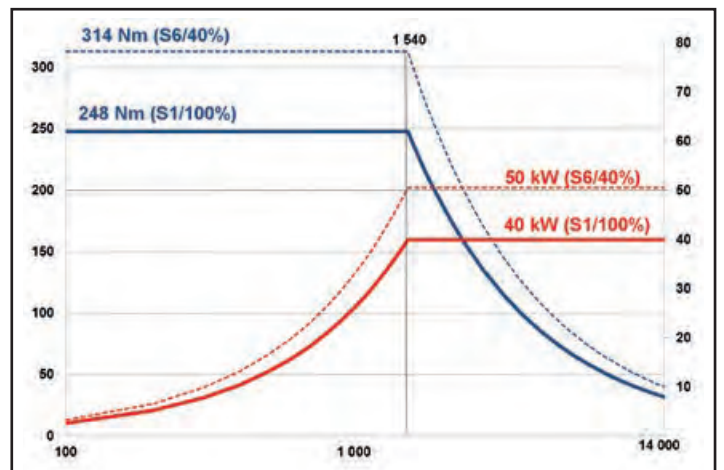


T30C

40kW, 248 Nm, 14.000/min, HSK-A100
 B axis (milling head): $\pm 100^\circ$
 C axis (milling head): $\pm 240^\circ$
 B-axis clamping torque: 8.000 Nm
 C-axis clamping torque: 8.000 Nm

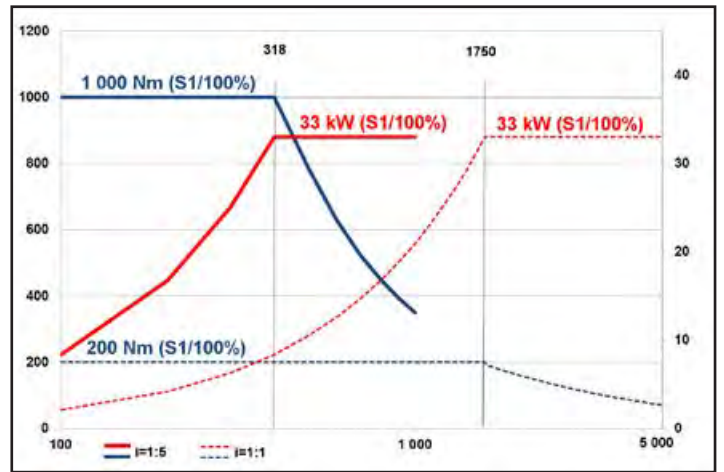
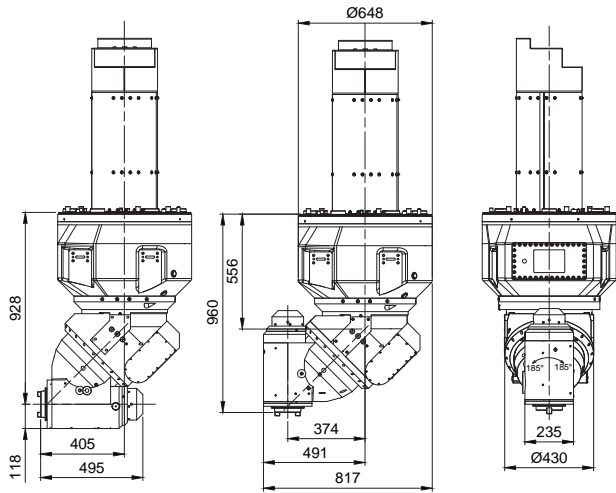
T30C CSC

50kW, 251 Nm, 20.000/min, HSK-A100
 B axis (milling head): $\pm 100^\circ$
 C axis (milling head): $\pm 240^\circ$
 B-axis clamping torque: 8.000 Nm
 C-axis clamping torque: 8.000 Nm



U2C

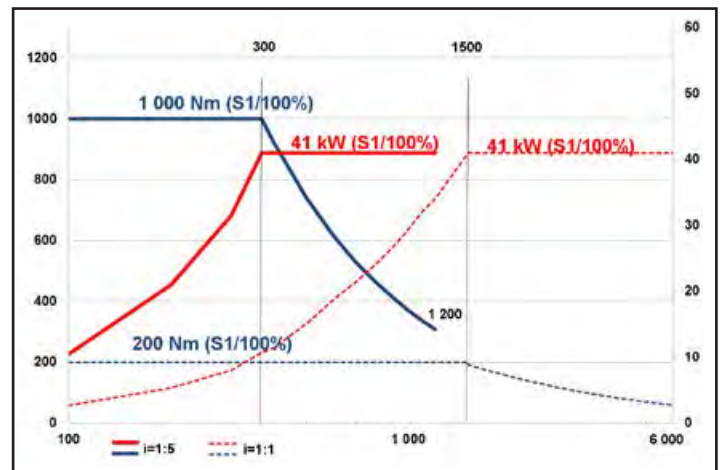
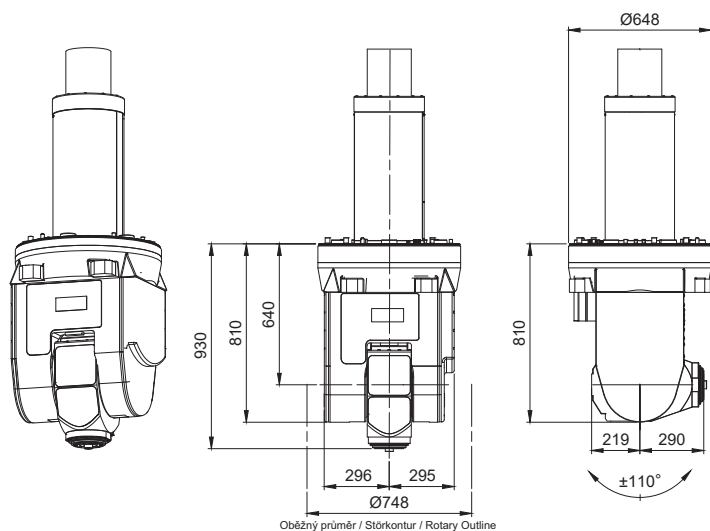
positioning



33 kW, 1.000 Nm, 5.000/min
 B axis (milling head): $\pm 185^\circ$
 B-axis clamping torque: 3.000 Nm
 C-axis clamping torque: 6.500 Nm
 Positioning step: 0,001°
 Tool holder: SK-50, HSK-A100

H3F

positioning



41 kW, 1.000 Nm, 6.000/min
 B axis (milling head): $\pm 105^\circ$
 C axis (milling head): $\pm 240^\circ$
 B-axis clamping torque: 6.000 Nm
 Tool holder: SK-50, HSK-A100



straight

TRIMILL VFC 3021



- Base plate can be anchored directly on a flat shop floor
- Cast-iron base plate (bed) with integrated clamping surface
- BOX-IN-BOX design of cross-beam
- Concrete sidewalls (UHPC concrete)
- Rapid feed rates of 40.000 mm/min
- Roughing and finishing operations in one set-up
- Stainless steel inside covers
- Very compact machine and accessories
- Machine can be optionally equipped with independent removable rotary table





	X	×	Y	×	Z
VFC 3021	3.000	×	2.100	×	1.200

Table

The fixed clamping plate made of cast iron	
Clamping surface	3.250 × 2.250 mm
Workpiece weight	max 7.000 kg/m ²
13 T-slots in transverse direction	18 mm H12
Pitch of T-slots	250 mm

Feed rate

Feed rates X, Y, Z	40.000 mm/min
Acceleration X, Y, Z	4 m/sec ²

Machine accuracy - VDI/DGQ 3441 standard

Positioning accuracy P (X,Y,Z)	max. 0,008 mm
Positioning scatter Ps (X,Y,Z)	max. 0,006 mm

Technical data

Machine weight approx.	92.000 kg
Total covered floor area	47,7 m ²



TRIMILL V 5528



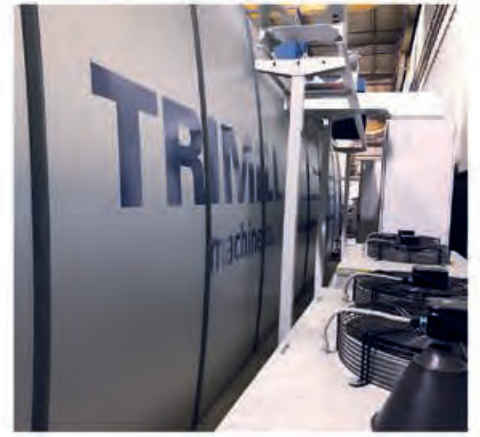
- 1** Highly dynamic 5-axis machine, feed rates of 50,000 mm/min, acceleration of 4m/s^2
- 2** Large working area with a fixed work table, stainless steel covers and LED lighting
- 3** Coolant aerosol exhaust unit in the back of a machine together with chip conveyor outlets
- 4** Highly dynamic T21C CSC milling head with a cooled internal spindle shaft





	X	×	Y	×	Z
V 3528	3.500	×	2.800	×	1.250
V 4528	4.500	×	2.800	×	1.250
V 5528	5.500	×	2.800	×	1.250
V xx28	xxxx	×	2.800	×	1.250

TRIMILL REFERENCES





■ STANDARD MACHINE PARAMETERS

		VF 2216	VF 3016	VF 3021	VF 3525
Travels					
The X-axis	mm	2.200	3.000	3.000	3.500
Y axis	mm	1.600	1.600	2.100	2.500
Z axis	mm	1.200	1.200	1.200	1.500
Feed rate	mm/min	40.000			
Fixed machine table	mm	2.700 x 1.750	3.500 x 1.750	3.500 x 2.250	4.000 x 2.800
Workpiece weight	kg/m ²	7.000	7.000	7.000	7.000
Acceleration	m/s ²	4	4	4	3
Machine dimensions					
Length	mm	6.525	7.275	8.230	8.065
Width	mm	4.870	5.295	5.795	7.005
Height	mm	5.160	5.160	5.160	6.245
Machine weight approx.	kg	52.500	58.500	61.100	89.300

■ STANDARD MACHINE PARAMETERS

		VF 4525	VF 4535	VF 4545	V 4528
Travels					
The X-axis	mm	4.500	4.500	4.500	4.500
Y axis	mm	2.500	3.500	4.500	2.800
Z axis	mm	1.500	1.500	1.500	1.250
Feed rate	mm/min	40.000			50.000
Fixed machine table	mm	5.000 x 2.800	5.000 x 3.800	5.000 x 4.800	5.000 x 2.800
Workpiece weight	kg/m ²	7.000	7.000	7.000	7.000
Acceleration	m/s ²	3	3	3	4
Machine dimensions					
Length	mm	9.065	9.065	9.065	9.065
Width	mm	7.005	8.005	9.005	6.940
Height	mm	6.245	6.245	6.245	5.370
Machine weight approx.	kg	103.900	109.900	115.800	87.700

Solutions for both large and small companies.
Always tailor-made.

gorenje



SIEMENS



ŠKODA



autoneum



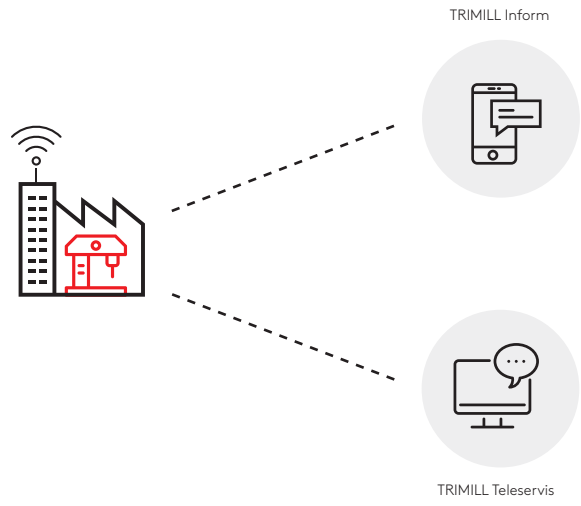
MouldPro

STANDARD MACHINE COMPONENTS

STANDARD COMPONENTS	MAKER
Electric spindle	Weiss - Germany, Fischer - Switzerland
Control system	Heidenhain, Siemens - Germany
Electric motors	Siemens - Germany
Measuring	Heidenhain
Toothed combs	Schneeberger - Germany
Linear management	THK - Japan, Schneeberger - Germany INA
Table	Stolle - Germany
Electrical switchboard	Rittal - Germany
Cooling unit	Rittal - Germany, Eurocold - Italy

OPTIONAL EQUIPMENT (SELECTION)

- TRIMILL Inform
- TRIMILL Teleservice
- Active temperature stabilization of the machine
- Tool magazine ATC 32, ATC 50, ATC 90+
- Tool cooling by external + internal liquid
- Workpiece probe
- Tool probe
- Oil mist micro lubrication - internal, external
- Video system with display and 2 controllable color cameras
- TRIMILL - Kinematics
- HR 550 - wireless hand control
- Electrically operated top cover of the machine
- Extraction of oil mist and cooling emulsion



					
ATC 50 tool magazine	Tool cooling liquid external + internal	Workpiece probe	Tool probe	Micro lubrication with oil fog - inner, outer	CCTV System
					
TRIMILL - Kinematics	HR 550 - wireless hand control	Electrically operated upper machine cover	Oil mist extraction and cooling emulsions	Oil mist extraction and cooling emulsions	

Czech Republic

TRIMILL, a.s.

Dlouhé díly 447

763 02 Zlín-Louky

Czech Republic

Phone: +420 577 112 111

info@trimill.cz

www.trimill.cz

Czech Republic

TRIMILL, a.s.

Jasenice 2061

755 01 Vsetín

Czech Republic

Phone: +420 577 112 171

info@trimill.cz

www.trimill.cz

Germany

TRIMILL GmbH

Zeissstrasse 6

32052 Herford

Germany

Phone: +49 5221 69 448-0

info@trimill.de

www.trimill.de

